

DRAWING NUMBER **366SA 03A** ISSUE



Tel 01707 660667  
Fax 01707 660755

TITLE: **MICROPROCESSOR**

SHEET 4  
FILENAME: **366SA-03A.SCH**

DRAWN: **AW**

DATE: **10-09-98**

CHECKED:

MATERIAL:

FINISH:

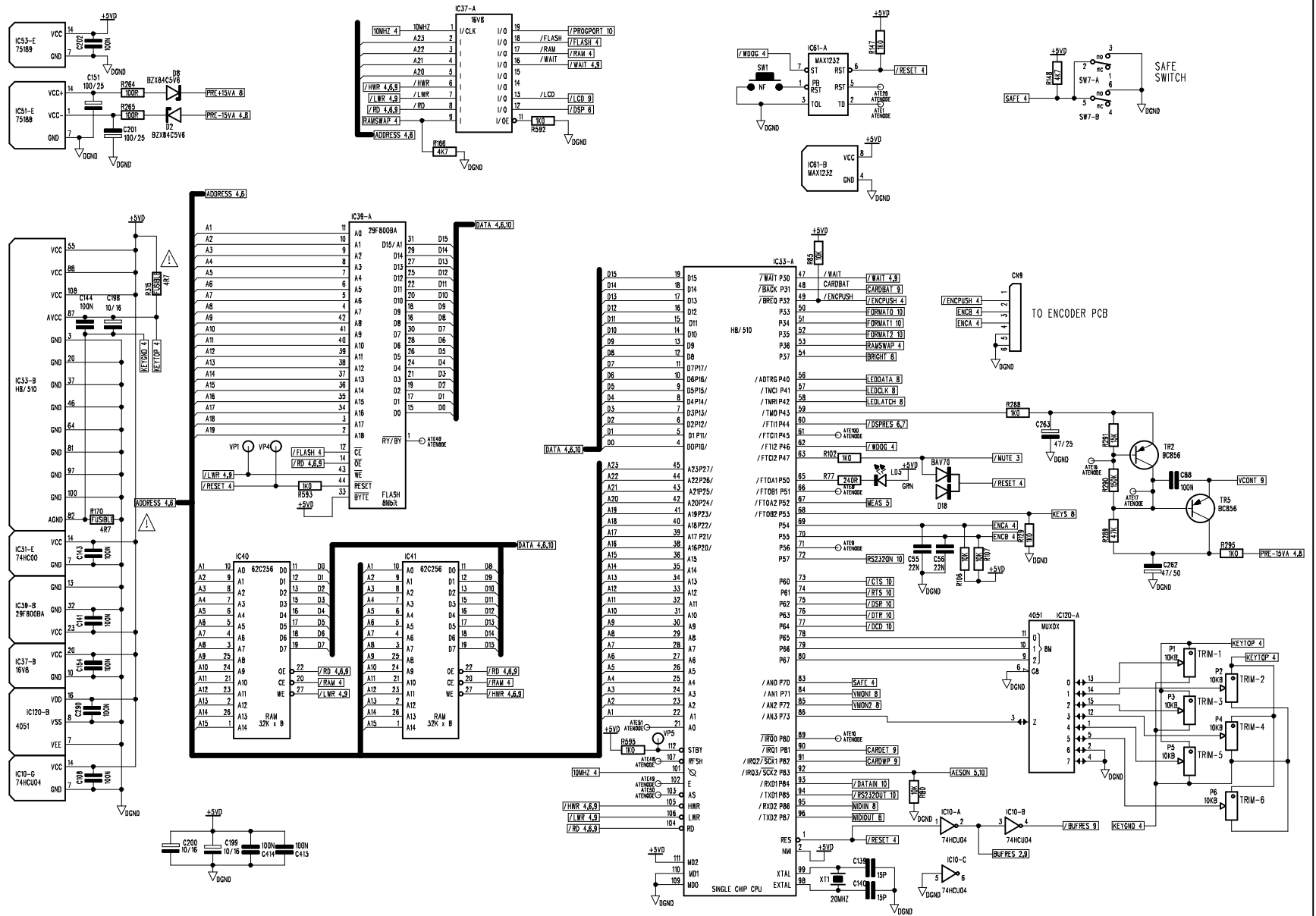
ISSUE COMMENTS:

1. PRE-PRODUCTION RELEASE 26-02-99
2. PROTOTYPE ONLY 01-06-99
3. ECN0171 PRODUCTION RELEASE 10-6-99
4. ECN0198 29/07/99

A2

PART NUMBER:

THIS DRAWING IS THE COPYRIGHT OF BSS Audio Ltd. ALL REPRODUCTION AND COPYING, OTHER THAN THAT FOR LICENCED MANUFACTURERS OWN INTERNAL USE, OR DISCLOSURE OF PART OR WHOLE TO A THIRD PARTY WITHOUT PRIOR WRITTEN AUTHORISATION IS IN VIOLATION OF THE COPYRIGHT. © BSS Audio Ltd 1994



ANY COMPONENT BEARING THIS MARK IS SAFETY CRITICAL PLEASE REFER TO SERVICE MANUAL

DRAWING NUMBER ISSUE

# 366SA 03A



LINKSIDE HOUSE  
SUMMIT ROAD  
CRANBORNE IND EST  
POTTERS BAR  
HERTS  
EN6 3JB

Tel 01707 660667  
Fax 01707 660755

TITLE: INPUTS 1-3

SHEET 5

FILENAME: 366SA-03A.SCH

DRAWN: AW

DATE: 26-02-99

CHECKED:

MATERIAL:

FINISH:

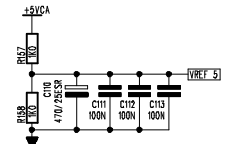
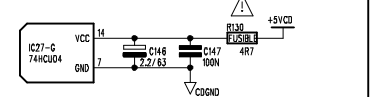
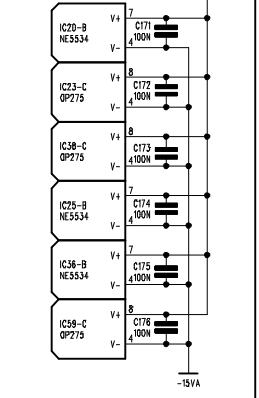
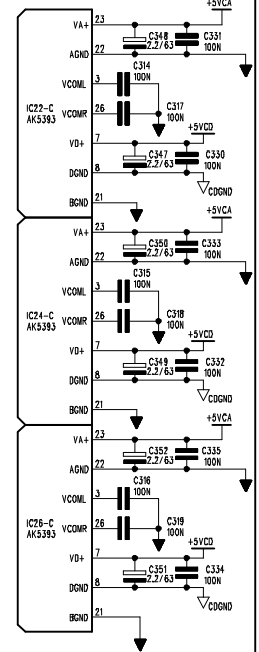
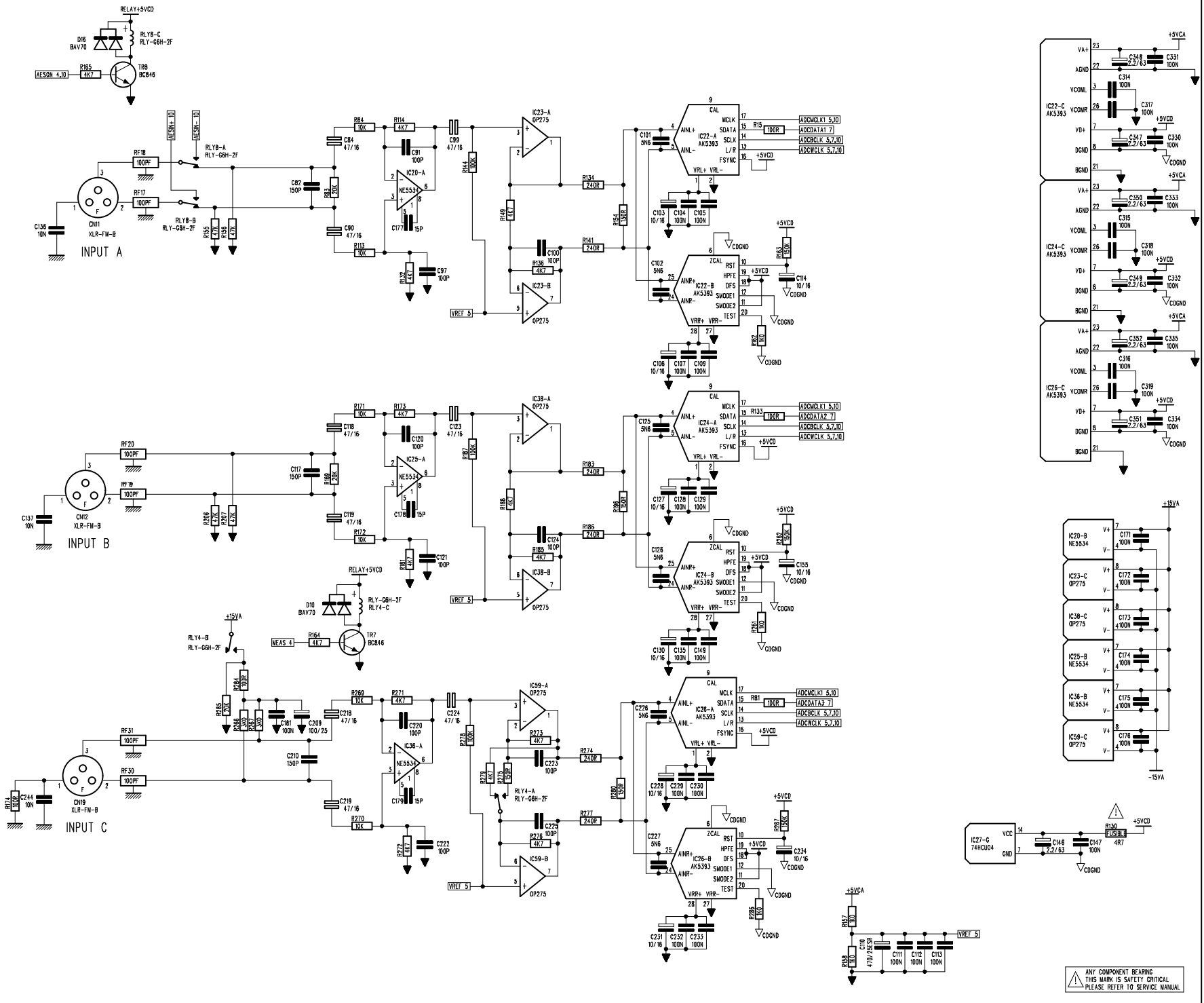
### ISSUE COMMENTS:

1. PRE-PRODUCTION RELEASE 26-02-99
2. PROTOTYPE ONLY 01-06-99
3. ECN0171 PRODUCTION RELEASE 10-6-99
4. ECN0198 29/07/99

# A2

PART NUMBER:

THIS DRAWING IS THE COPYRIGHT OF BSS Audio Ltd. ALL REPRODUCTION AND COPYING, OTHER THAN THAT FOR LICENCED MANUFACTURES OWN INTERNAL USE, OR DISCLOSURE OF PART OR WHOLE TO A THIRD PARTY WITHOUT PRIOR WRITTEN AUTHORISATION IS IN VIOLATION OF THE COPYRIGHT. © BSS Audio Ltd 1994



ANY COMPONENT BEARING THIS MARK IS SAFETY CRITICAL. PLEASE REFER TO SERVICE MANUAL

DRAWING NUMBER ISSUE  
**366SA 03A**



LINKSIDE HOUSE  
 SUMMIT ROAD  
 CRANBORNE IND EST  
 POTTERS BAR  
 HERTS  
 EN6 3JB  
 Tel 01707 660667  
 Fax 01707 660755

TITLE: **DSP 0**

SHEET 6

FILENAME: **366SA-03A.SCH**

DRAWN: **AW**

DATE: **26-02-99**

CHECKED:

MATERIAL:

FINISH:

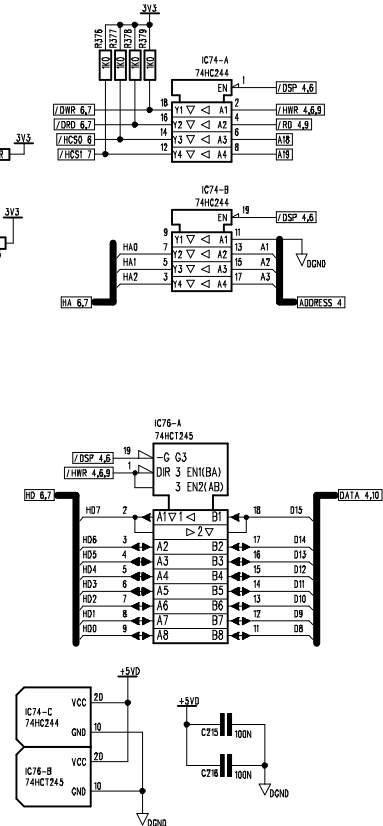
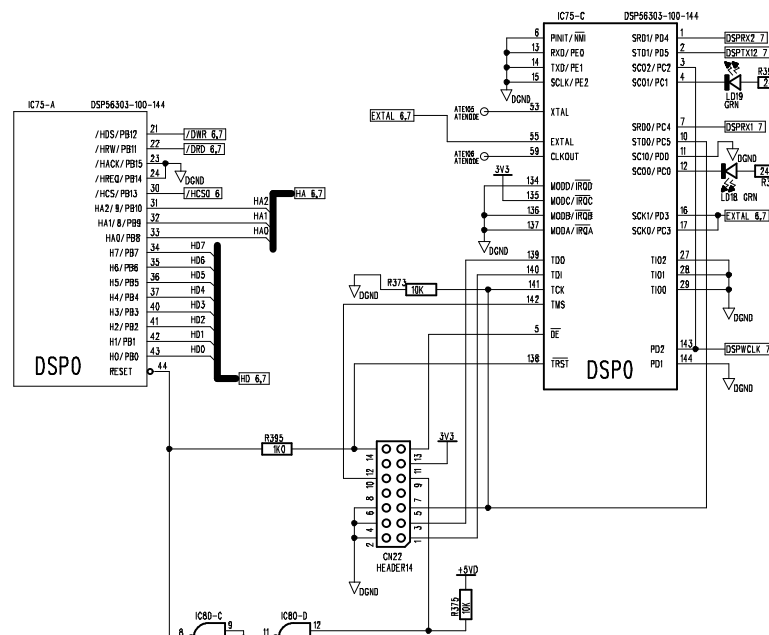
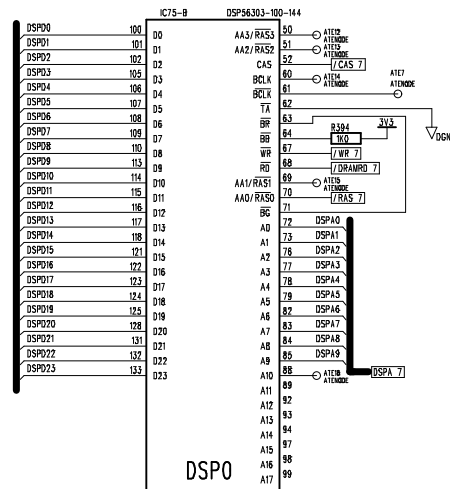
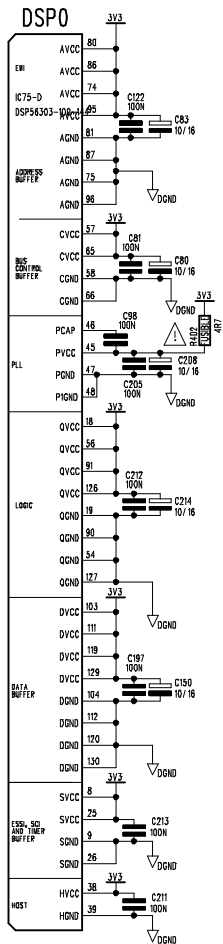
ISSUE COMMENTS:

1. PRE-PRODUCTION RELEASE 26-02-99
2. PROTOTYPE ONLY 01-06-99
3. ECN0171 PRODUCTION RELEASE 10-6-99
4. ECN0198 29/07/99

**A2**

PART NUMBER:

THIS DRAWING IS THE COPYRIGHT OF BSS Audio Ltd. ALL REPRODUCTION AND COPYING, OTHER THAN THAT FOR LICENCED MANUFACTURES OWN INTERNAL USE, OR DISCLOSURE OF PART OR WHOLE TO A THIRD PARTY WITHOUT PRIOR WRITTEN AUTHORISATION IS IN VIOLATION OF THE COPYRIGHT.  
 © BSS Audio Ltd 1994



ANY COMPONENT BEARING THIS MARK IS SAFETY CRITICAL. PLEASE REFER TO SERVICE MANUAL.